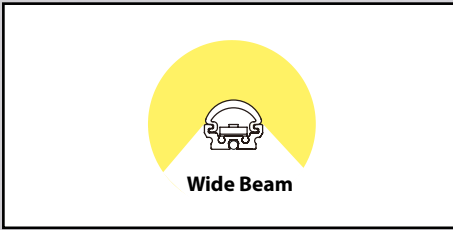


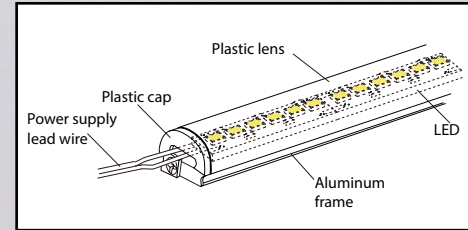
FGD

LED Line Module

Made to fit your projects.



- Compact profile with wide beam dome lens
- Enhanced CRI Ra 80~95
- Aluminium frame with magnet



FGD - 1001 - NZ-KMG

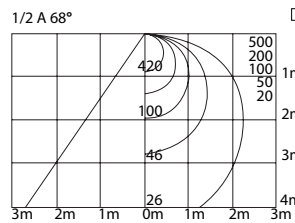
- 1 Fixture name : FGD
 2 Length : Please check frame size reference table
 3 LED colors : L22 = Light bulb (2200K) L25 = Light bulb (2500K)
 L27 = Light bulb (2700K) L30 = Light bulb (3000K)
 WW = Warm white (3500K) W = White (4000K)
 NW Neutral white = (4500K) N = Neutral white (5000K) DN = (5700K) D = Daylight (6500K)
 4 Color rendering: None = Ra ≥ 80 Z = Ra ≥ 95
 5 Connector: K = one side connector
 6 Fixation : CR = Mounting clip
 MG = Magnet (option)

Environment of use : indoor cove / display lighting / accent lighting
 Maximum length in series : 2486 mm
 Driver : DC 24V

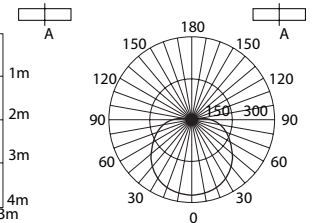
Photometric data

Measured fixture: FGD-1001-N (5000K)

Light Intensity distribution



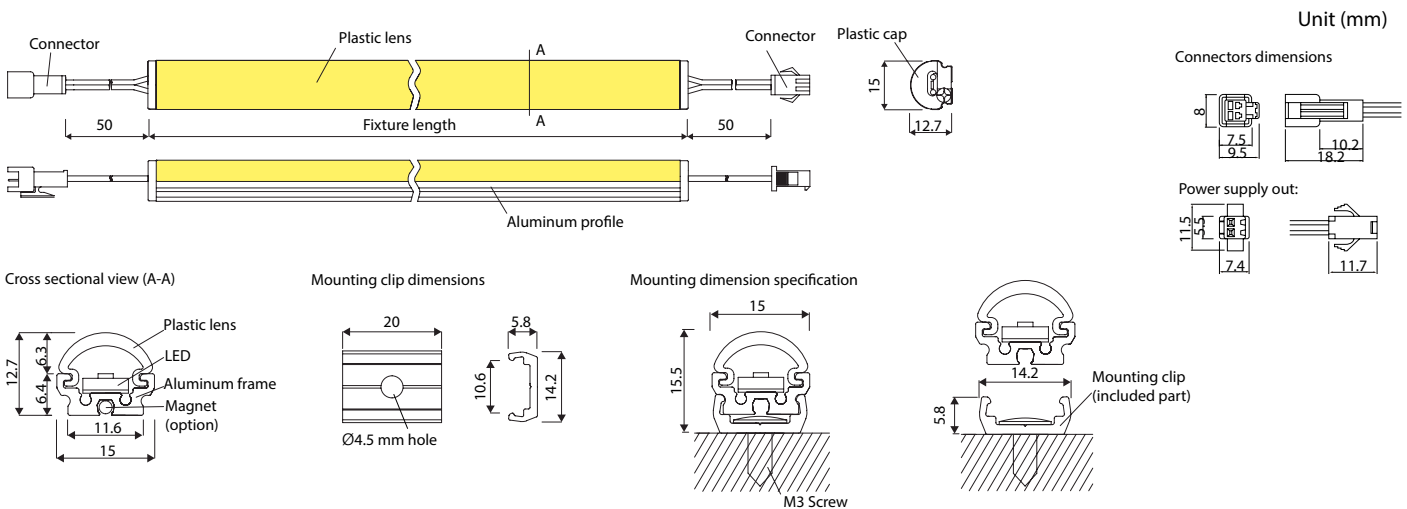
Candlepower Distribution



DC 24V specifications

Reference	Length (mm)	LED board length (mm)	Number of LED	CRI (Ra)	Watts (W)	Amps (A)	Maximum length (mm)	Luminous flux (lm)
FGD-1001	1001	990	216	≥ 80	15.5	0.65	2486	1415
FGD-1001-Z	1001	990	216	≥ 95	15.9	0.66	2486	1253

Fixtures Dimensions



Order made sizes by color rendering

Standard Ra ≥ 80				High color rendering Ra ≥ 95			
Length (mm)	Watts (W)	Amps (A)	Luminous flux (lm)	Length (mm)	Watts (W)	Amps (A)	Luminous flux (lm)
39	0.4	0.02	39	39	0.5	0.02	35
66	0.9	0.04	79	66	0.9	0.04	70
93.5	1.3	0.05	118	93.5	1.4	0.06	104
121	1.7	0.07	157	121	1.8	0.08	139
148.5	2.2	0.09	197	148.5	2.3	0.09	174
176	2.6	0.11	236	176	2.7	0.11	209
203.5	3.0	0.13	275	203.5	3.2	0.13	244
231	3.4	0.14	314	231	3.6	0.15	278
258.5	3.9	0.16	354	258.5	4.1	0.17	313
286	4.3	0.18	393	286	4.5	0.19	348
313.5	4.7	0.20	432	313.5	5.0	0.21	383
341	5.2	0.22	472	341	5.4	0.23	418
368.5	5.6	0.23	511	368.5	5.9	0.24	452
396	6.0	0.25	550	396	6.3	0.26	487
423.5	6.5	0.27	590	423.5	6.8	0.28	522
451	6.9	0.29	629	451	7.2	0.30	557
478.5	7.3	0.31	668	478.5	7.7	0.32	592
506	7.7	0.32	707	506	8.1	0.34	627
533.5	8.2	0.34	747	533.5	8.6	0.36	661
561	8.6	0.36	786	561	9.0	0.38	696
588.5	9.0	0.38	825	588.5	9.4	0.39	731
616	9.5	0.40	865	616	9.9	0.41	766
643.5	9.9	0.41	904	643.5	10.3	0.43	801
671	10.3	0.43	943	671	10.7	0.45	835
698.5	10.8	0.45	983	698.5	11.2	0.47	870
726	11.2	0.47	1022	726	11.6	0.48	905
753.5	11.6	0.49	1061	753.5	12.0	0.50	940
781	12.0	0.50	1100	781	12.5	0.52	975
808.5	12.5	0.52	1140	808.5	12.9	0.54	1009
836	12.9	0.54	1179	836	13.3	0.56	1044
863.5	13.3	0.56	1218	863.5	13.8	0.57	1079
891	13.8	0.58	1258	891	14.2	0.59	1114
918.5	14.2	0.59	1297	918.5	14.6	0.61	1149
946	14.6	0.61	1336	946	15.1	0.63	1183
973.5	15.1	0.63	1376	973.5	15.5	0.65	1218
1001	15.5	0.65	1415	1001	15.9	0.66	1253
1028.5	15.9	0.67	1454	1028.5	16.4	0.68	1288
1056	16.3	0.68	1493	1056	16.8	0.70	1323
1083.5	16.8	0.70	1533	1083.5	17.3	0.72	1357
1111	17.2	0.72	1572	1111	17.7	0.74	1392
1138.5	17.6	0.74	1611	1138.5	18.1	0.76	1427
1166	18.1	0.76	1651	1166	18.6	0.77	1462
1193.5	18.5	0.78	1690	1193.5	19.0	0.79	1497
1221	18.9	0.79	1729	1221	19.4	0.81	1531
1248.5	19.4	0.81	1769	1248.5	19.9	0.83	1566

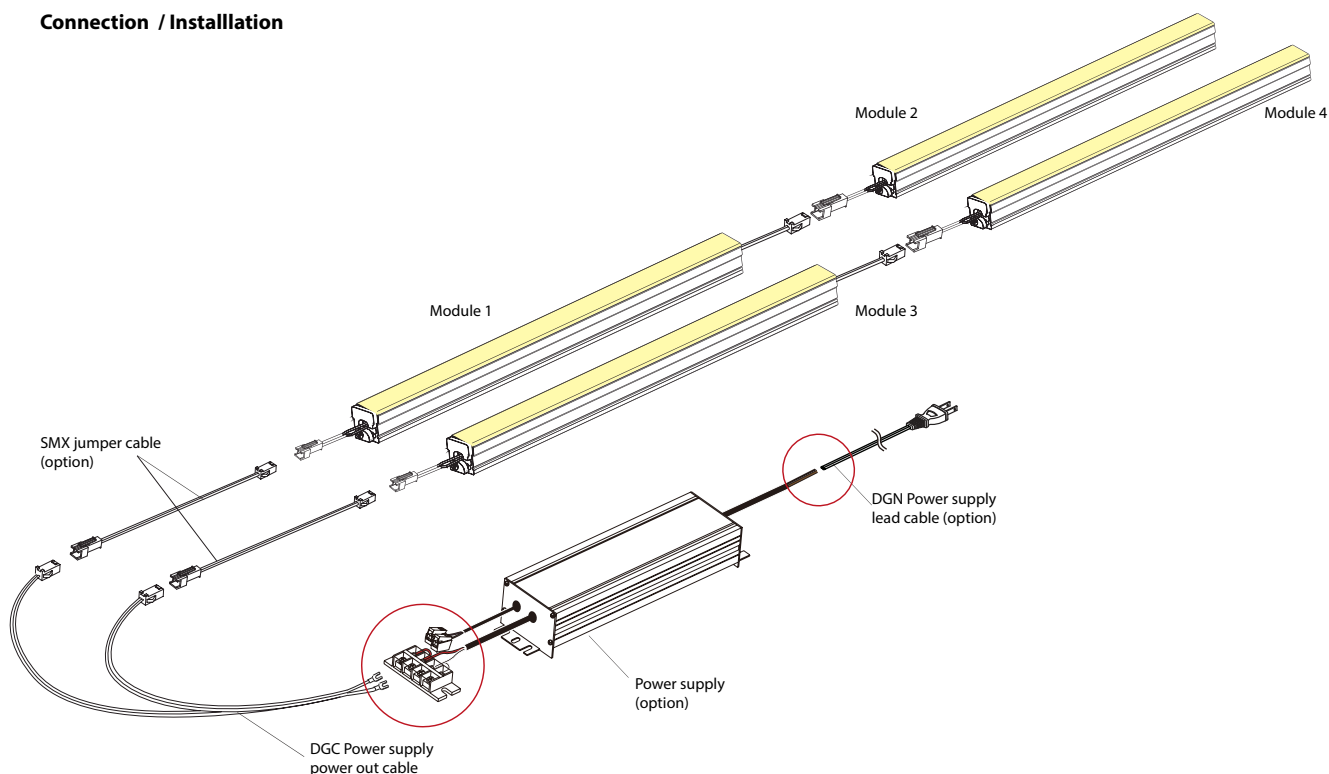
Standard Ra ≥ 80				High color rendering Ra ≥ 95			
Length (mm)	Watts (W)	Amps (A)	Luminous flux (lm)	Length (mm)	Watts (W)	Amps (A)	Luminous flux (lm)
1276	19.8	0.83	1808	1276	20.3	0.85	1601
1303.5	20.2	0.85	1847	1304	20.7	0.86	1636
1331	20.6	0.86	1886	1331	21.2	0.88	1671
1358.5	21.1	0.88	1926	1359	21.6	0.90	1705
1386	21.5	0.90	1965	1386	22.0	0.92	1740
1413.5	21.9	0.92	2004	1414	22.5	0.94	1775
1441	22.4	0.94	2044	1441	22.9	0.95	1810
1468.5	22.8	0.95	2083	1469	23.3	0.97	1845
1496	23.2	0.97	2122	1496	23.8	0.99	1880
1523.5	23.7	0.99	2162	1524	24.2	1.01	1914
1551	24.1	1.01	2201	1551	24.6	1.03	1949
1578.5	24.5	1.03	2240	1579	25.1	1.04	1984
1606	24.9	1.04	2279	1606	25.5	1.06	2019
1633.5	25.4	1.06	2319	1634	25.9	1.08	2054
1661	25.8	1.08	2358	1661	26.4	1.10	2088
1688.5	26.2	1.10	2397	1689	26.8	1.12	2123
1716	26.7	1.12	2437	1716	27.2	1.13	2158
1743.5	27.1	1.13	2476	1744	27.7	1.15	2193
1771	27.5	1.15	2515	1771	28.1	1.17	2228
1798.5	28.0	1.17	2555	1799	28.5	1.19	2262
1826	28.4	1.19	2594	1826	29.0	1.21	2297
1853.5	28.8	1.21	2633	1854	29.4	1.23	2332
1881	29.2	1.22	2672	1881	29.4	1.24	2367
1908.5	29.7	1.24	2712	1909	29.8	1.26	2402
1936	30.1	1.26	2751	1936	30.3	1.28	2436
1963.5	30.5	1.28	2790	1963.5	30.7	1.30	2471
1991	31.0	1.30	2830	1991	31.1	1.32	2506
2018.5	31.4	1.31	2869	2019	31.6	1.33	2541
2046	31.8	1.33	2908	2046	32.0	1.35	2576
2073.5	32.3	1.35	2948	2074	32.4	1.37	2610
2101	32.7	1.37	2987	2101	32.9	1.39	2645
2128.5	33.1	1.39	3026	2129	33.3	1.41	2680
2156	33.5	1.40	3065	2156	33.7	1.42	2715
2183.5	34.0	1.42	3105	2184	34.2	1.44	2750
2211	34.4	1.44	3144	2211	34.6	1.46	2784
2238.5	34.8	1.46	3183	2239	35.0	1.48	2819
2266	35.3	1.48	3223	2266	35.5	1.50	2854
2293.5	35.7	1.49	3262	2294	35.9	1.51	2889
2321	36.1	1.51	3301	2321	36.3	1.53	2924
2348.5	36.6	1.53	3341	2349	36.8	1.55	2958
2376	37.0	1.55	3380	2376	37.2	1.57	2993
2403.5	37.4	1.57	3419	2404	37.7	1.59	3028
2431	37.8	1.58	3458	2431	38.1	1.60	3063
2458.5	38.3	1.60	3498	2459	38.5	1.62	3098
2486	38.7	1.62	3537	2486	39.0	1.64	3133

Light output grade (base N color in % of lm) according to color rendering

	D 6500K	DN 5700K	N 5000 K	NW 4500 K	W 4000K	WW 3500 K	L30 3000 K	L27 2700 K	L25 2500K	L22 2200K
Ra ≥ 80	97%	99%	100%	99%	97%	93%	93%	90%	77%	-
Ra ≥ 95	100%	100%	100%	100%	100%	100%	95%	90%	82%	70%

Line Module installation and option parts

Connection / Installation

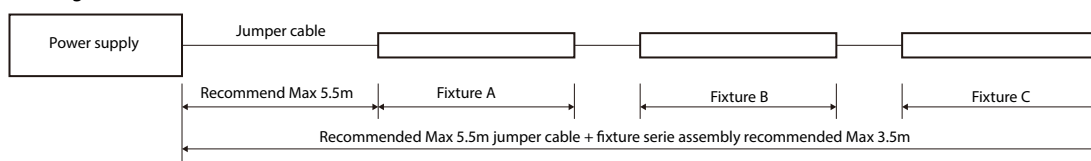


Assembly and maximum length

When connecting or assembling LED modules in series, please respect the following recommendation:

Maximum jumper cable length 5.5m

Maximum LED module length in series 3.5m (3465mm)



Option parts

Jumper cable SMX



SMX-80	80 mm	1 pcs	500 ¥	SMX-500	500 mm	1 pcs	600 ¥
SMX-200	200 mm	1 pcs	500 ¥	SMX-1000	1000 mm	1 pcs	600 ¥
SMX-300	300 mm	1 pcs	500 ¥	SMX-2000	2000 mm	1 pcs	1200 ¥
SMX-400	400 mm	1 pcs	600 ¥	SMX-3000	3000 mm	1 pcs	1800 ¥
				SMX-4000	4000 mm	1 pcs	2400 ¥

Power supply out cable DGC



DGC-1	500mm	1 connector	700 ¥
DGC-2	500mm	2 connectors	900 ¥
DGC-3	500mm	3 connectors	1100 ¥
DGC-4	500mm	4 connectors	1300 ¥

Power supply in lead cable DGN



DGN-2500	2500mm	1 pcs	1350 ¥
----------	--------	-------	--------

Power supply unit (OSRAM OT)



OT30/100-200-24-T	30W	1 pcs	Open price
OT60/100-200-24-T	60W	1 pcs	Open price
OT90/100-200-24-T	90W	1 pcs	Open price
OT150/100-200-24-T	150W	1 pcs	Open price

Input AC90~240V, output DC24V.
Comply with CE, UL, PSE standards. IP 66 water proof rating.

DC 24V dimmer FMC-24S/R

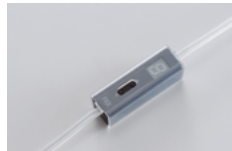


FMC-24S/R	1 pcs	34500 ¥
-----------	-------	---------

Available in 3 colors:



DC 24V simple dimmer FSD-24



FSD-24	1 pcs	9900 ¥
--------	-------	--------