

FGS

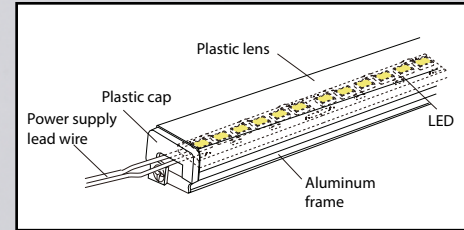
LED Line Module

Made to fit your projects.



Wide Beam

- Compact profile with 3 faces beam light
- Enhanced CRI Ra 80~95
- Aluminium frame with magnet



FGS - 1001 - NZ-KMG

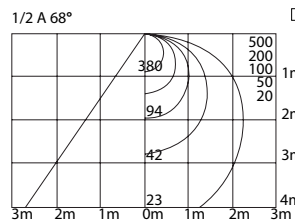
- 1 Fixture name : FGS
- 2 Length : Please check frame size reference table
- 3 LED colors : L22 = Light bulb (2200K) L25 = Light bulb (2500K)
L27 = Light bulb (2700K) L30 = Light bulb (3000K)
WW = Warm white (3500K) W = White (4000K)
NW Neutral white = (4500K) N = Neutral white (5000K) DN = (5700K) D = Daylight (6500K)
- 4 Color rendering: None = Ra ≥ 80 Z = Ra ≥ 95
- 5 Connector: K = one side connector
- 6 Fixation : CR = Mounting clip
MG = Magnet (option)

Environment of use : indoor cove / display lighting / accent lighting
Maximum length in series : 2486 mm
Driver : DC 24V

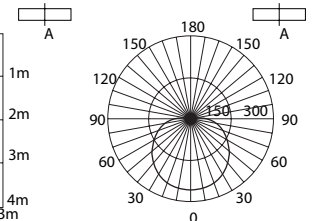
Photometric data

Measured fixture: FGS-1001-N (5000K)

Light Intensity distribution



Candlepower Distribution

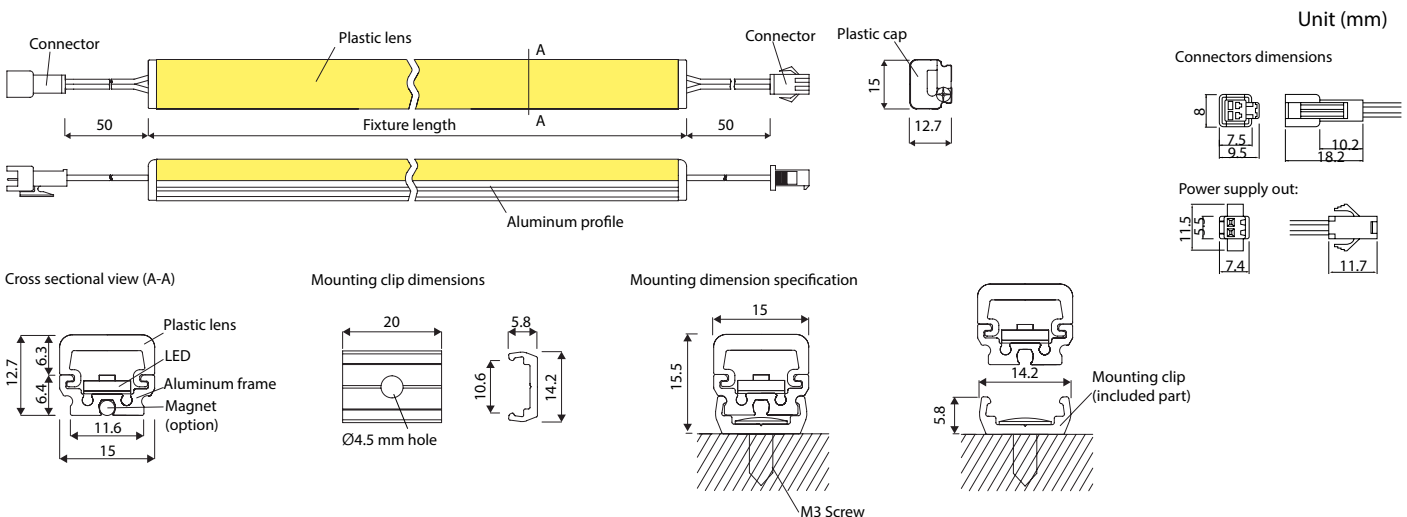


Unit (lx) cd/(1000)lm

DC 24V specifications

Reference	Length (mm)	LED board length (mm)	Number of LED	CRI (Ra)	Watts (W)	Amps (A)	Maximum length (mm)	Luminous flux (lm)
FGS-1001	1001	990	216	≥ 80	15.5	0.65	2486	1357
FGS-1001-Z	1001	990	216	≥ 95	15.9	0.66	2486	1217

Fixtures Dimensions



Order made sizes by color rendering

Standard Ra ≥ 80				High color rendering Ra ≥ 95			
Length (mm)	Watts (W)	Amps (A)	Luminous flux (lm)	Length (mm)	Watts (W)	Amps (A)	Luminous flux (lm)
39	0.4	0.02	38	39	0.5	0.02	34
66	0.9	0.04	75	66	0.9	0.04	68
93.5	1.3	0.05	113	93.5	1.4	0.06	101
121	1.7	0.07	151	121	1.8	0.08	135
148.5	2.2	0.09	188	148.5	2.3	0.09	169
176	2.6	0.11	226	176	2.7	0.11	203
203.5	3.0	0.13	264	203.5	3.2	0.13	237
231	3.4	0.14	302	231	3.6	0.15	270
258.5	3.9	0.16	339	258.5	4.1	0.17	304
286	4.3	0.18	377	286	4.5	0.19	338
313.5	4.7	0.20	415	313.5	5.0	0.21	372
341	5.2	0.22	452	341	5.4	0.23	406
368.5	5.6	0.23	490	368.5	5.9	0.24	439
396	6.0	0.25	528	396	6.3	0.26	473
423.5	6.5	0.27	565	423.5	6.8	0.28	507
451	6.9	0.29	603	451	7.2	0.30	541
478.5	7.3	0.31	641	478.5	7.7	0.32	575
506	7.7	0.32	678	506	8.1	0.34	609
533.5	8.2	0.34	716	533.5	8.6	0.36	642
561	8.6	0.36	754	561	9.0	0.38	676
588.5	9.0	0.38	791	588.5	9.4	0.39	710
616	9.5	0.40	829	616	9.9	0.41	744
643.5	9.9	0.41	867	643.5	10.3	0.43	778
671	10.3	0.43	905	671	10.7	0.45	811
698.5	10.8	0.45	942	698.5	11.2	0.47	845
726	11.2	0.47	980	726	11.6	0.48	879
753.5	11.6	0.49	1018	753.5	12.0	0.50	913
781	12.0	0.50	1055	781	12.5	0.52	947
808.5	12.5	0.52	1093	808.5	12.9	0.54	980
836	12.9	0.54	1131	836	13.3	0.56	1014
863.5	13.3	0.56	1168	863.5	13.8	0.57	1048
891	13.8	0.58	1206	891	14.2	0.59	1082
918.5	14.2	0.59	1244	918.5	14.6	0.61	1116
946	14.6	0.61	1281	946	15.1	0.63	1149
973.5	15.1	0.63	1319	973.5	15.5	0.65	1183
1001	15.5	0.65	1357	1001	15.9	0.66	1217
1028.5	15.9	0.67	1395	1028.5	16.4	0.68	1251
1056	16.3	0.68	1432	1056	16.8	0.70	1285
1083.5	16.8	0.70	1470	1083.5	17.3	0.72	1318
1111	17.2	0.72	1508	1111	17.7	0.74	1352
1138.5	17.6	0.74	1545	1138.5	18.1	0.76	1386
1166	18.1	0.76	1583	1166	18.6	0.77	1420
1193.5	18.5	0.78	1621	1193.5	19.0	0.79	1454
1221	18.9	0.79	1658	1221	19.4	0.81	1487
1248.5	19.4	0.81	1696	1248.5	19.9	0.83	1521

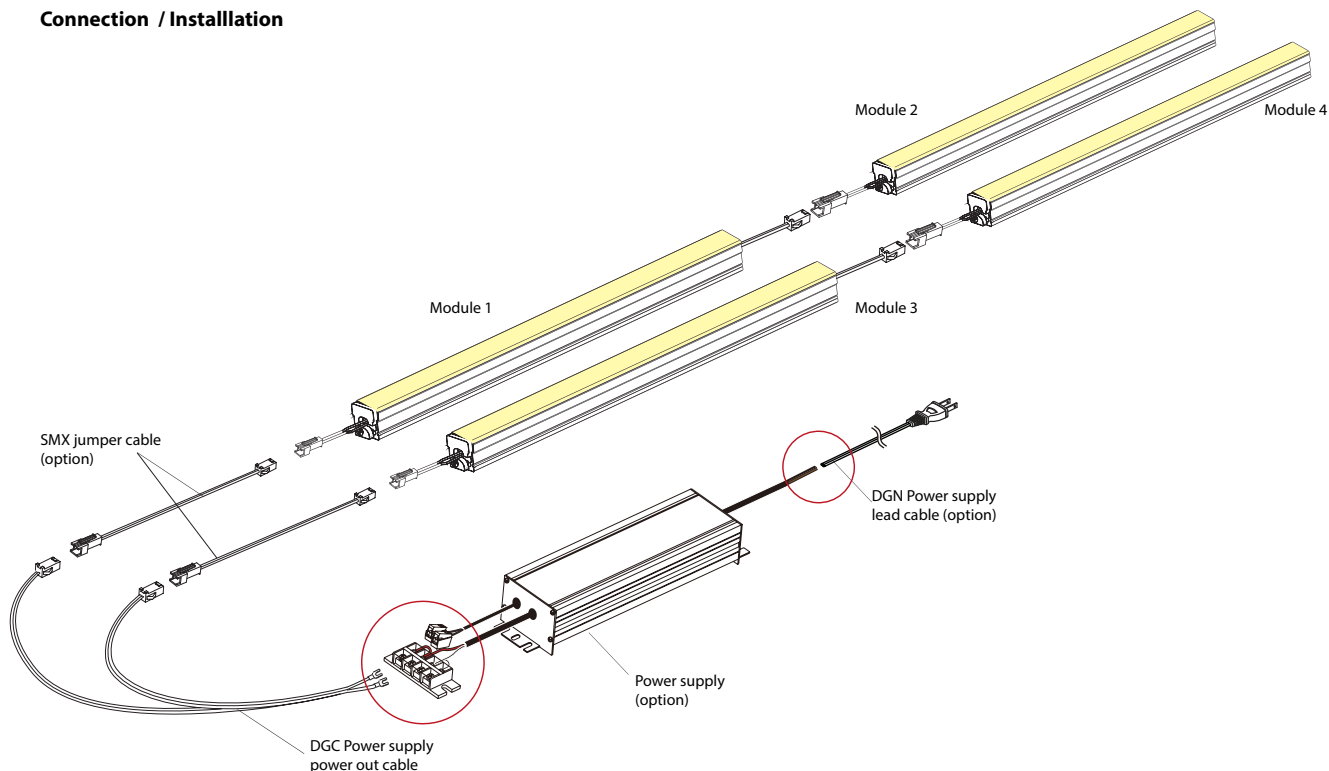
Standard Ra ≥ 80				High color rendering Ra ≥ 95			
Length (mm)	Watts (W)	Amps (A)	Luminous flux (lm)	Length (mm)	Watts (W)	Amps (A)	Luminous flux (lm)
1276	19.8	0.83	1734	1276	20.3	0.85	1555
1303.5	20.2	0.85	1771	1304	20.7	0.86	1589
1331	20.6	0.86	1809	1331	21.2	0.88	1623
1358.5	21.1	0.88	1847	1359	21.6	0.90	1656
1386	21.5	0.90	1885	1386	22.0	0.92	1690
1413.5	21.9	0.92	1922	1414	22.5	0.94	1724
1441	22.4	0.94	1960	1441	22.9	0.95	1758
1468.5	22.8	0.95	1998	1469	23.3	0.97	1792
1496	23.2	0.97	2035	1496	23.8	0.99	1826
1523.5	23.7	0.99	2073	1524	24.2	1.01	1859
1551	24.1	1.01	2111	1551	24.6	1.03	1893
1578.5	24.5	1.03	2148	1579	25.1	1.04	1927
1606	24.9	1.04	2186	1606	25.5	1.06	1961
1633.5	25.4	1.06	2224	1634	25.9	1.08	1995
1661	25.8	1.08	2261	1661	26.4	1.10	2028
1688.5	26.2	1.10	2299	1689	26.8	1.12	2062
1716	26.7	1.12	2337	1716	27.2	1.13	2096
1743.5	27.1	1.13	2374	1744	27.7	1.15	2130
1771	27.5	1.15	2412	1771	28.1	1.17	2164
1798.5	28.0	1.17	2450	1799	28.5	1.19	2197
1826	28.4	1.19	2488	1826	29.0	1.21	2231
1853.5	28.8	1.21	2525	1854	29.4	1.23	2265
1881	29.2	1.22	2563	1881	29.4	1.24	2299
1908.5	29.7	1.24	2601	1909	29.8	1.26	2333
1936	30.1	1.26	2638	1936	30.3	1.28	2366
1963.5	30.5	1.28	2676	1963.5	30.7	1.30	2400
1991	31.0	1.30	2714	1991	31.1	1.32	2434
2018.5	31.4	1.31	2751	2019	31.6	1.33	2468
2046	31.8	1.33	2789	2046	32.0	1.35	2502
2073.5	32.3	1.35	2827	2074	32.4	1.37	2535
2101	32.7	1.37	2864	2101	32.9	1.39	2569
2128.5	33.1	1.39	2902	2129	33.3	1.41	2603
2156	33.5	1.40	2940	2156	33.7	1.42	2637
2183.5	34.0	1.42	2978	2184	34.2	1.44	2671
2211	34.4	1.44	3015	2211	34.6	1.46	2704
2238.5	34.8	1.46	3053	2239	35.0	1.48	2738
2266	35.3	1.48	3091	2266	35.5	1.50	2772
2293.5	35.7	1.49	3128	2294	35.9	1.51	2806
2321	36.1	1.51	3166	2321	36.3	1.53	2840
2348.5	36.6	1.53	3204	2349	36.8	1.55	2873
2376	37.0	1.55	3241	2376	37.2	1.57	2907
2403.5	37.4	1.57	3279	2404	37.7	1.59	2941
2431	37.8	1.58	3317	2431	38.1	1.60	2975
2458.5	38.3	1.60	3354	2459	38.5	1.62	3009
2486	38.7	1.62	3392	2486	39.0	1.64	3043

Light output grade (base N color in % of lm) according to color rendering

	D 6500K	DN 5700K	N 5000 K	NW 4500 K	W 4000K	WW 3500 K	L30 3000 K	L27 2700 K	L25 2500K	L22 2200K
Ra ≥ 80	97%	99%	100%	99%	97%	93%	93%	90%	77%	-
Ra ≥ 95	100%	100%	100%	100%	100%	100%	95%	90%	82%	70%

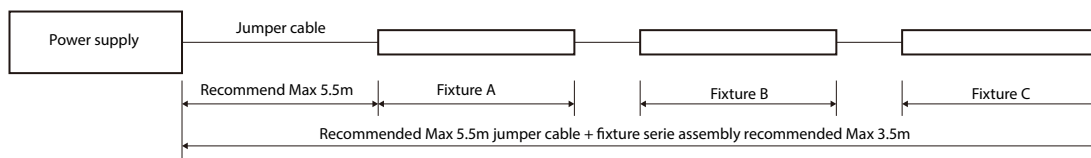
Line Module installation and option parts

Connection / Installation



Assembly and maximum length

When connecting or assembling LED modules in series, please respect the following recommendation:
 Maximum jumper cable length 5.5m
 Maximum LED module length in series 3.5m (3465mm)



Option parts

Jumper cable SMX



SMX-80	80 mm	1 pcs	500 ¥	SMX-500	500 mm	1 pcs	600 ¥
SMX-200	200 mm	1 pcs	500 ¥	SMX-1000	1000 mm	1 pcs	600 ¥
SMX-300	300 mm	1 pcs	500 ¥	SMX-2000	2000 mm	1 pcs	1200 ¥
SMX-400	400 mm	1 pcs	600 ¥	SMX-3000	3000 mm	1 pcs	1800 ¥
				SMX-4000	4000 mm	1 pcs	2400 ¥

Power supply out cable DGC



DGC-1	500mm	1 connector	700 ¥
DGC-2	500mm	2 connectors	900 ¥
DGC-3	500mm	3 connectors	1100 ¥
DGC-4	500mm	4 connectors	1300 ¥

Power supply in lead cable DGN



DGN-2500	2500mm	1 pcs	1350 ¥
----------	--------	-------	--------

Power supply unit (OSRAM OT)



OT30/100-200-24-T	30W	1 pcs	Open price
OT60/100-200-24-T	60W	1 pcs	Open price
OT90/100-200-24-T	90W	1 pcs	Open price
OT150/100-200-24-T	150W	1 pcs	Open price

Input AC90~240V, output DC24V.
 Comply with CE, UL, PSE standards. IP 66 water proof rating.

DC 24V dimmer FMC-24S/R

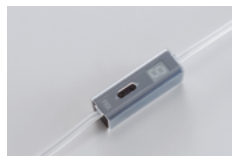


FMC-24S/R	1 pcs	34500 ¥
-----------	-------	---------

Available in 3 colors:

	White
	Grey
	Black

DC 24V simple dimmer FSD-24



FSD-24	1 pcs	9900 ¥
--------	-------	--------