

# FMC-24S/R

Dimmer control



FMC-24SW



FMC-24SG



FMC-24SB



FMC-24RW



FMC-24RG



FMC-24RB

## FMC-24 - S - W

1 2 3

1 Product name :

2 Type :

3 Color :

FMC-24= DC24V dimmer control

S = dimmer switch, R = dimmer wheel

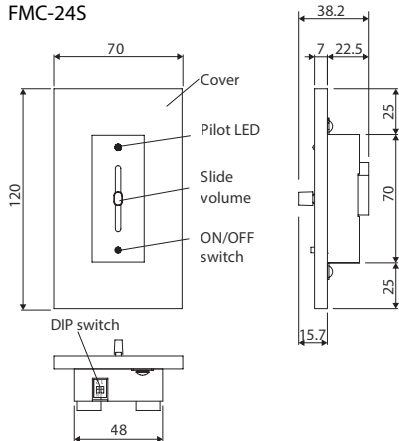
W = White, G = Grey, B = Black

### DC 24V specifications

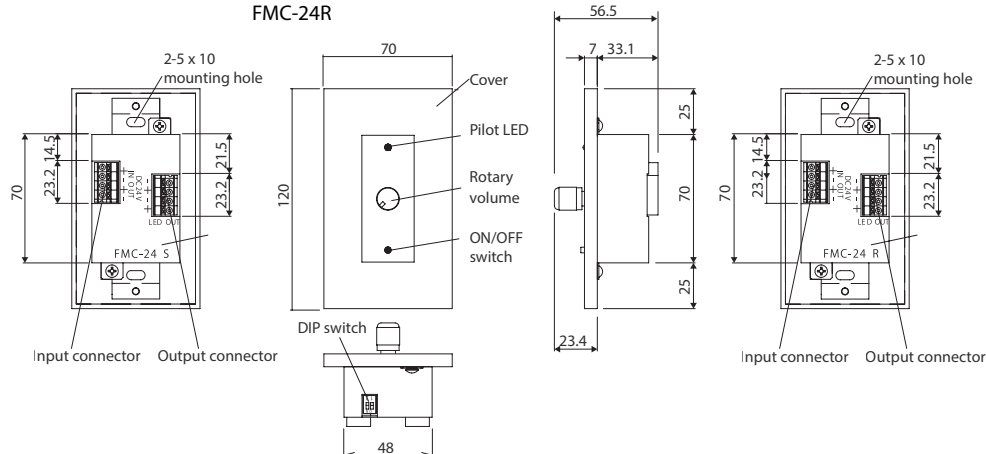
Reference	Dimensions (W x H x D mm)	Weight (g)	Max output current (A)	Max load capacity (W)	Signal	Price
FMC-24S	70 x 120 x 38.2	168	6.3	150	PWM	34500 ¥
FMC-24R	70 x 120 x 56.5	216				

### Dimensions

FMC-24S



FMC-24R



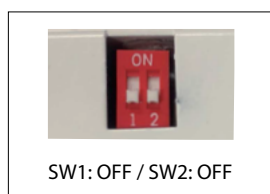
### Connection / Installation

DIP switch configuration

2 switch configuration are available:

1. Normal configuration
2. Noise reduction configuration

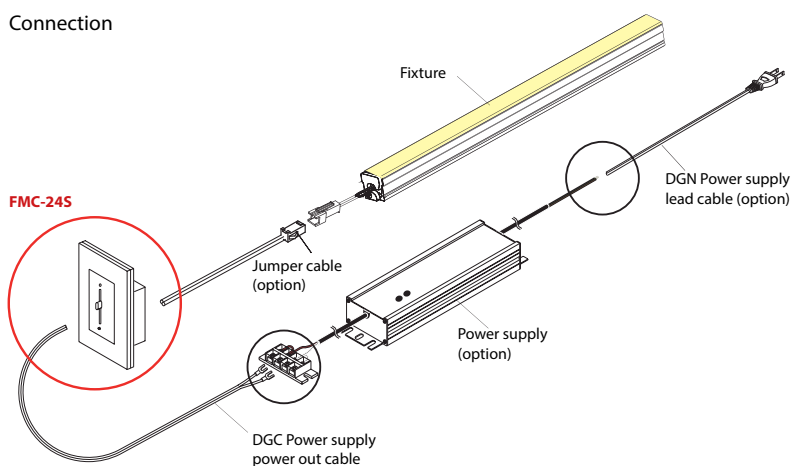
1. Normal configuration



2. Noise reduction configuration



Connection



# FSD-24

## Simple dimmer



Smart level indicator



MAX level

MIN level

Indicator shut OFF after 30s

### FSD-24

1 Product name :

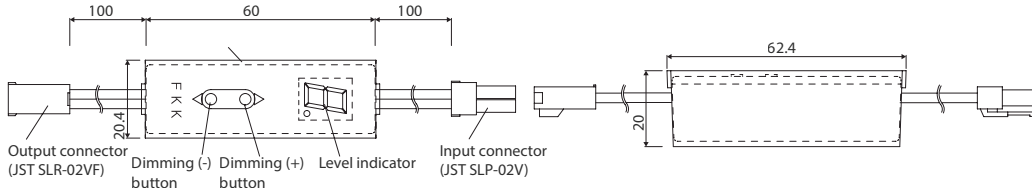
FSD-24= DC24V simple dimmer

1

#### DC 24V specifications

Reference	Dimensions (W x H x D mm)	Weight (g)	Max output current (A)	Max load capacity (W)	Signal	Price
FSD-24	60 x 20.4 x 20	25	6.3	150	PWM	9900 ¥

#### Dimensions



#### Connection / Installation

